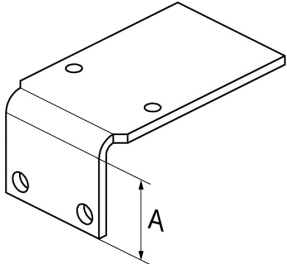
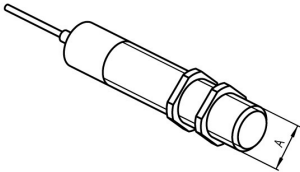
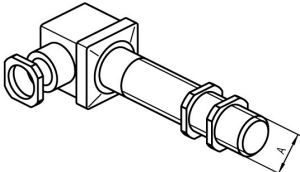
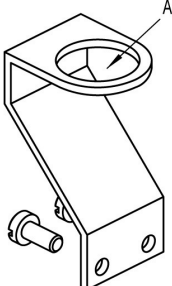


Spare parts – Butterfly valves / Food technique, Chemical technique							Art.No	EUR	Art.No	EUR
<b>Holding device for limit switch, handle</b> 	<b>DN</b>	<b>A</b>					<b>AISI304</b>			
	25-65 (1"-2,5")	15						514233	<b>9,60</b>	
	80-100 (3"-4")	20						514238	<b>10,80</b>	
	<b>125-200</b>	<b>25</b>						514241	<b>12,30</b>	
<b>Inductive switch for butterfly valve</b> 	<b>DN</b>	<b>A</b>					<b>Cable</b>			
	25-200 (1"-4")	M12x1						516533	<b>83,80</b>	
	25-200 (1"-4")	M18x1						514533	<b>85,20</b>	
<b>10-36 V / 200 mA, safety class IP 67, with 2 m cable</b>										
<b>Inductive switch for butterfly valve plug, st.</b> 	<b>DN</b>	<b>A</b>					<b>Plug</b>			
	25-200 (1"-4")	M12x1						516633	<b>130,70</b>	
	25-200 (1"-4")	M18x1						514633	<b>139,60</b>	
<b>10-36 V / 200 mA, safety class IP 65, with plug connection DIN 43650</b>										
<b>Holding device for inductive switch, handle, front</b> 	<b>DN</b>	<b>A</b>					<b>AISI304</b>			
	25-65 (1"-2,5")	Ø12,3						516833	<b>10,30</b>	
	25-65 (1"-2,5")	Ø18,3						514833	<b>10,30</b>	
	80-100 (3"-4")	Ø12,3						516838	<b>13,90</b>	
	80-100 (3"-4")	Ø18,3						514838	<b>13,90</b>	
	<b>125-200</b>	<b>Ø12,3</b>						516841	<b>21,50</b>	
<b>125-200</b>	<b>Ø18,3</b>						514841	<b>21,50</b>		

D

1.3